

NORWOOD
FOUNDRY LTD.

**AWWA
FITTINGS**

NORWOOD

Cast Iron® Tyton Fittings ANSI A21.10-93, AWWA C110-93

Norwood Foundry Limited manufactures cast iron Tyton fittings in nominal diameters of 4 inch (100mm) through 24 inch (600mm). Sizes 4 inch (100 mm) to 12 inch (300mm) are pressure rated at 250 psi (1725kPa) while the 14 inch (350mm) to 24 inch (600 mm) are rated at 150 psi (1035 kPa). These fittings are produced in accordance with A21.10-93 AWWA C110-93. These fittings are also available in ductile iron rated for 350psi (2413kPa) working pressure.

Tyton fittings are for use with ductile iron pipe conforming to AWWA C151 and PVC pipe (with ductile pipe O.D.) conforming to AWWA C900 and C905. The Tyton joint is a push-on compression joint complying with AWWA C111/ANSI A21.11. The standard Tyton gasket is SBR (styrene-butadiene rubber) but other specialized gaskets such as neoprene are available.

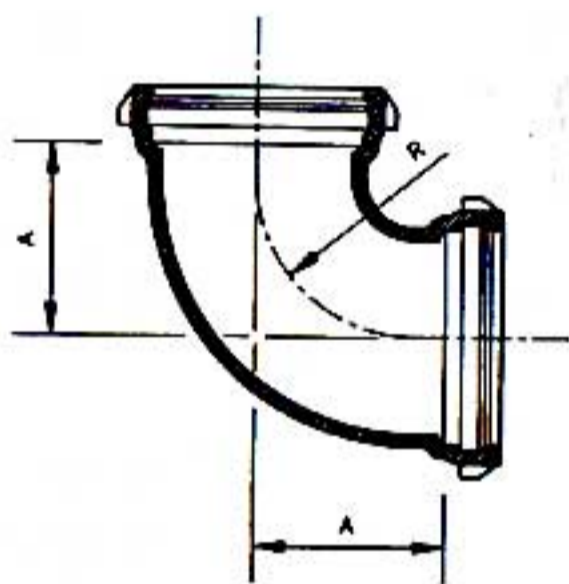
Tie rod lugs are integrally cast on the bells of fittings when requested. Please advise us of your requirements when ordering.

In addition to its standard Tyton fittingline, Norwood manufactures a variety of mixed end fittings. Included in this group are Tyton by flange, Tyton by plain end and fittings which reduce on the run. Please inquire with any configurations your project may need and Norwood will do all it can to accommodate you.

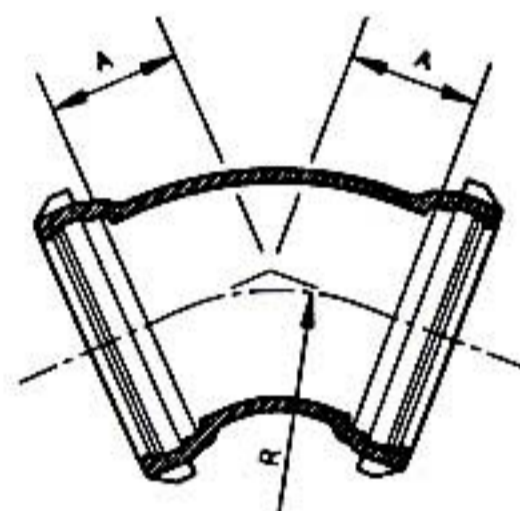
Tyton fittings are generally shipped with asphaltic coating and lining. They are also available with AWWA Standard interior/exterior fusion epoxy coating or cement lining as specified.

Please contact your Norwood sales representative or distributor with any fitting requirements you have.

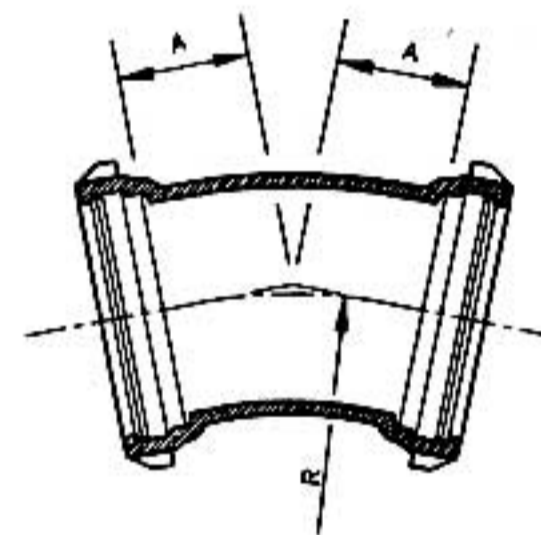
BENDS



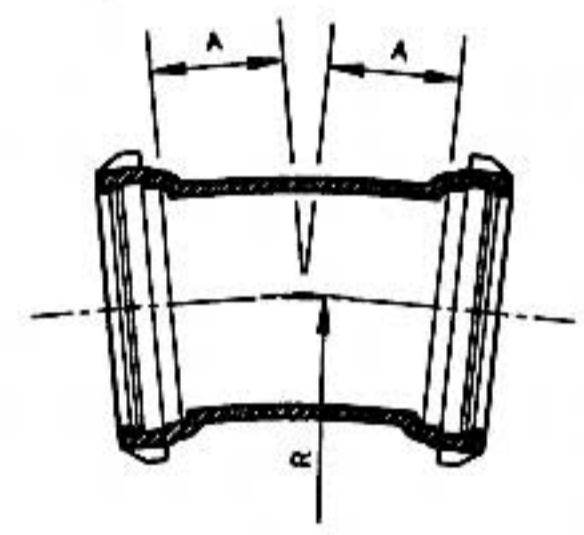
90° Bend



45° Bend



22.5° Bend



11.25° Bend

90° Bend Dimensions

Nominal Diameter		A		R	
In.	mm	In.	mm	In.	mm
4	100	6.5	165	4.50	114
6	150	8.0	203	6.00	152
8	200	9.0	229	7.00	178
10	250	11.0	279	9.00	229
12	300	12.0	305	10.00	254
14	350	14.0	356	11.50	292
16	400	15.0	381	12.50	318
18	450	16.5	419	14.00	356
24	600	22.0	559	18.5	470

45° Bend Dimensions

Nominal Diameter		A		R	
In.	mm	In.	mm	In.	mm
4	100	4.0	102	4.81	122
6	150	5.0	127	7.25	184
8	200	5.5	140	8.44	214
10	250	6.5	165	10.88	276
12	300	7.5	191	13.25	337
14	350	7.5	191	12.06	306
16	400	8.0	203	13.25	337
18	450	8.5	216	16.50	419
24	600	11.0	279	18.22	463

22.5° Bend Dimensions

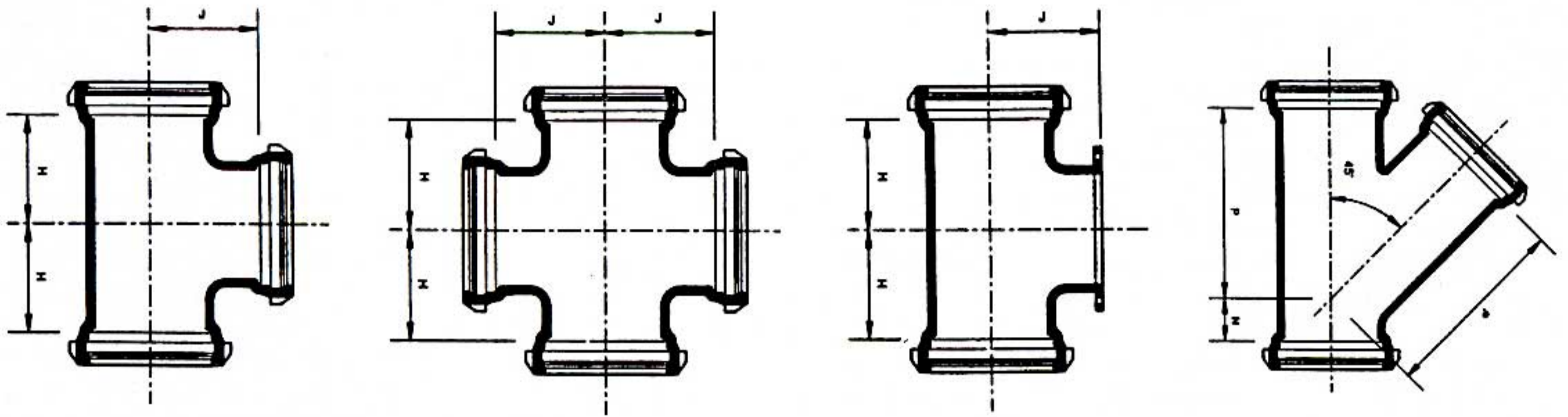
Nominal Diameter		A		R	
In.	mm	In.	mm	In.	mm
4	100	4.0	102	10.06	256
6	150	5.0	127	16.06	383
8	200	5.5	140	17.62	448
10	250	6.5	165	22.62	575
12	300	7.5	191	27.62	702
14	350	7.5	191	25.12	638
16	400	8.0	203	27.62	702
18	450	8.5	216	30.19	767
24	600	11.0	279	37.69	957

11.25° Bend Dimensions

Nominal Diameter		A		R	
In.	mm	In.	mm	In.	mm
4	100	4.0	102	20.31	516
6	150	5.0	127	30.50	775
8	200	5.5	140	35.50	902
10	250	6.5	165	45.69	116
12	300	7.5	191	55.81	1418
14	350	7.5	191	50.75	1289
16	400	8.0	203	55.81	1418
18	450	8.5	216	60.99	1548
24	600	11.0	279	76.12	1933

NORWOOD

TEES, CROSSES AND LATERALS

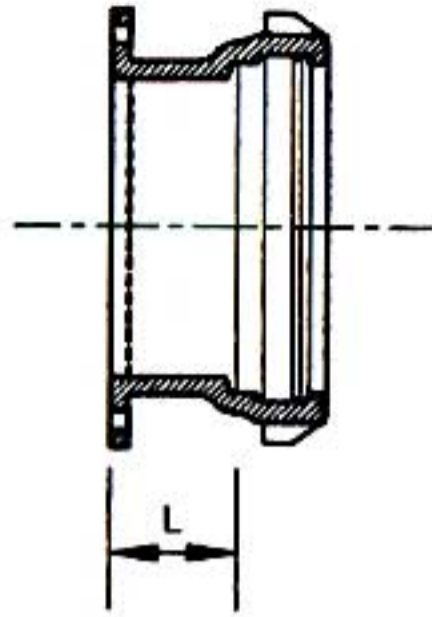


Nominal Diameter		Dimension		Dimension					
Run		Branch		H and J		N		P	
In.	mm	In.	mm	In.	mm	In.	mm	In.	mm
4	100	4	100	6.5	165	3.0	76	12.0	305
6	150	4	100	8.0	203	3.5	89	14.5	368
6	150	6	150	8.0	203	3.5	89	14.5	368
8	200	4	100	9.0	229	4.5	114	17.5	445
8	200	6	150	9.0	229	4.5	114	17.5	445
8	200	8	200	9.0	229	4.5	114	17.5	445
10	250	4	100	11.0	279	5.0	127	20.5	521
10	250	6	150	11.0	279	5.0	127	20.5	521
10	250	8	200	11.0	279	5.0	127	20.5	521
10	250	10	250	11.0	279	5.0	127	20.5	521
12	300	4	100	12.0	305	5.5	140	24.5	622
12	300	6	150	12.0	305	5.5	140	24.5	622
12	300	8	200	12.0	305	5.5	140	24.5	622
12	300	10	250	12.0	305	5.5	140	24.5	622
12	300	12	300	12.0	305	5.5	140	24.5	622
14	350	6	150	14.0	356	5.5	140	24.5	622
14	350	8	200	14.0	356				
14	350	10	250	14.0	356				
14	350	12	300	14.0	356				
14	350	14	350	14.0	356				
16	400	6	150	15.0	381				
16	400	8	200	15.0	381				
16	400	10	250	15.0	381				
16	400	12	300	15.0	381				
16	400	14	350	15.0	381				
16	400	16	400	15.0	381				

Run		Branch		H		J	
In.	mm	In.	mm	In.	mm	In.	mm
18	450	6	150	13.0	330	15.5	394
18	450	8	200	13.0	330	15.5	394
18	450	10	250	13.0	330	15.5	394
18	450	12	300	13.0	330	15.5	394
18	450	14	350	16.5	419	16.5	419
18	450	16	400	16.5	419	16.5	419
18	450	18	450	16.5	419	16.5	419
24	600	6	150	15.0	381	19.0	483
24	600	8	200	15.0	381	19.0	483
24	600	10	250	15.0	381	19.0	483
24	600	12	300	15.0	381	19.0	483
24	600	14	350	15.0	381	19.0	483
24	600	16	400	15.0	381	19.0	483
24	600	18	450	22.0	559	22.0	559
24	600	20	500	22.0	559	22.0	559
24	600	24	600	22.0	559	22.0	559

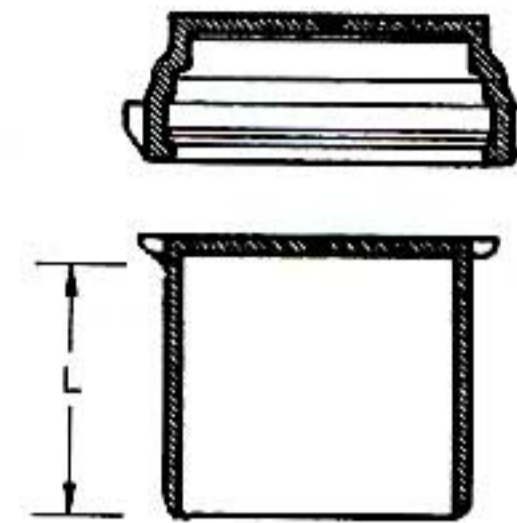
NORWOOD FITTINGS

FLANGE X TYTON ADAPTERS



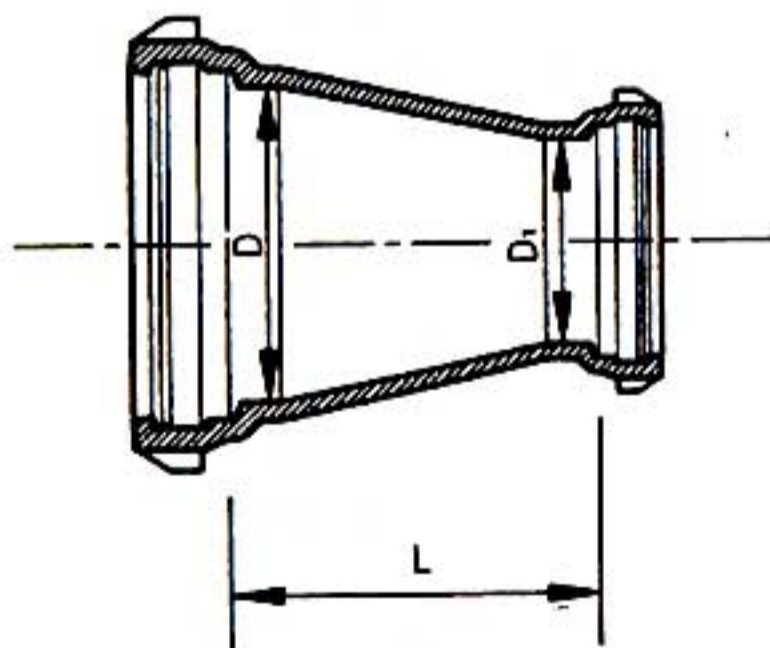
Nominal Diameter		Dimension L	
In.	mm	In.	mm
4	100	8	203
6	150	8	203
8	200	8	203
10	250	8	203
12	300	8	203
14	350	8	203
16	400	8	203
18	450	8	203
24	600	8	203

PLUGS AND CAPS



Size		Dimension L		Max.IPT Tapping	
In.	mm	In.	mm	In.	mm
4	100	4 ^{3/4}	121	2 ^{1/2}	60
6	150	5 ^{1/4}	133	4	100
8	200	5 ^{3/4}	146	4	100
10	250	5 ^{3/4}	146	4	100
12	300	7	178	4	100
14	350	7 ^{7/8}	200	4	100
16	400	8	203	4	100
18	450	8	203	4	100
24	600	8	203	4	100

CONCENTRIC REDUCERS



Nominal Diameter D		D1		Dimension L	
In.	mm	In.	mm	In.	mm
6	150	4	100	9	229
8	200	4	100	11	279
8	200	6	150	11	279
10	250	4	100	12	305
10	250	6	150	12	305
10	250	8	200	12	305
12	300	4	100	14	356
12	300	6	150	14	356
12	300	8	200	14	356
12	300	10	250	14	356
14	350	6	150	16	406
14	350	8	200	16	406
14	350	10	250	16	406
14	350	12	300	16	406
16	400	6	150	18	457
16	400	8	200	18	457
16	400	10	250	18	457
16	400	12	300	18	457
18	450	8	200	19	483
18	450	10	250	19	483
18	450	12	300	19	483
18	450	14	350	19	483
18	450	16	400	19	483
24	600	12	300	24	600
24	600	14	350	24	600
24	600	16	400	24	600
24	600	18	450	24	600
24	600	20	500	24	600

NORWOOD FOUNDRY LTD.

605 - 18 Ave., NISKU, Alberta T9E 7T7

Phone (780) 955-8844 Fax (780) 955-7600 Canada Toll Free 1-800-232-7205