

CAST IRON CAP AND  
THREADED BRASS PLUG  
WITH PENTAGONAL NUT

13mm x 2.1m (½" x 7')  
STAINLESS STEEL ROD  
WITH CENTERING BENDS

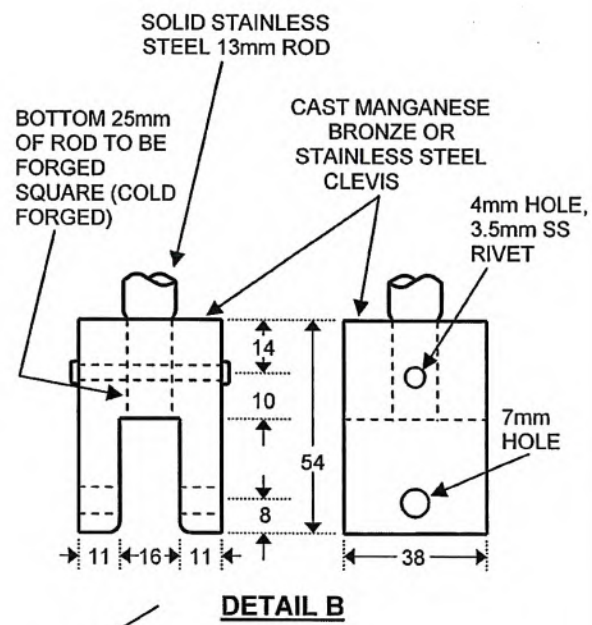
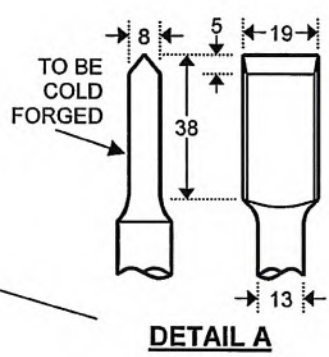
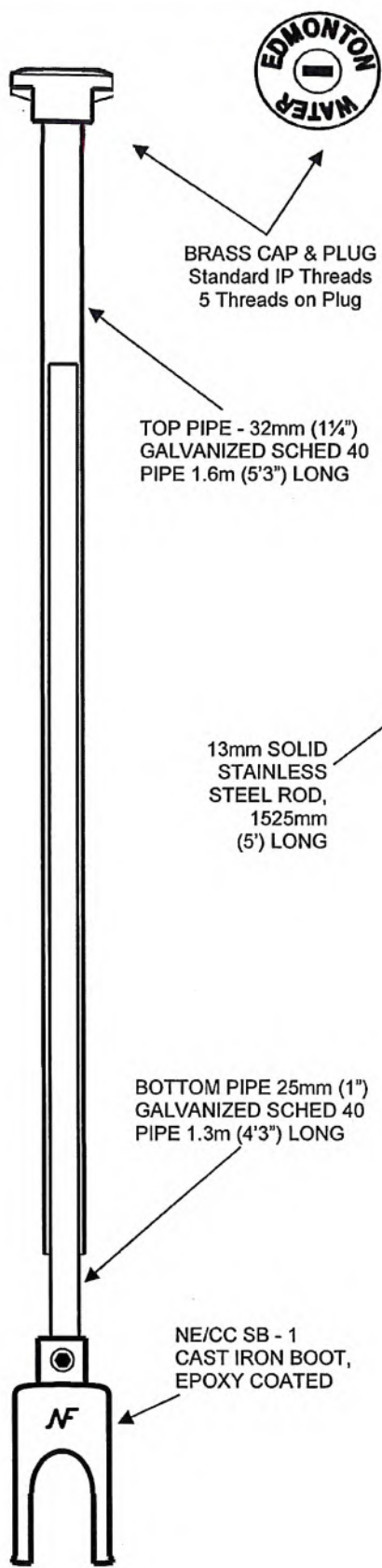
**NOTE: ROD, CASING, AND  
TOP PIPE ARE AVAILABLE IN  
VARIED LENGTHS TO MEET  
YOUR REQUIREMENTS.  
REPAIR CAPS WITH SET  
SCREWS, AND EXTENSIONS  
IN 150mm (6") INCREMENTS,  
ARE ALSO AVAILABLE.**

MANGANESE BRONZE  
CLEVIS RIVETED TO  
FORMED END OF ROD,  
WITH HOLES FOR COTTER  
PIN THAT SECURES IT TO  
THE CURBSTOP



**NCSB-1 (C-100)** for 20mm and 25mm Services  
**NCSB-2 (C-200)** for 32, 40, and 50mm Services

**SERVICE BOX**

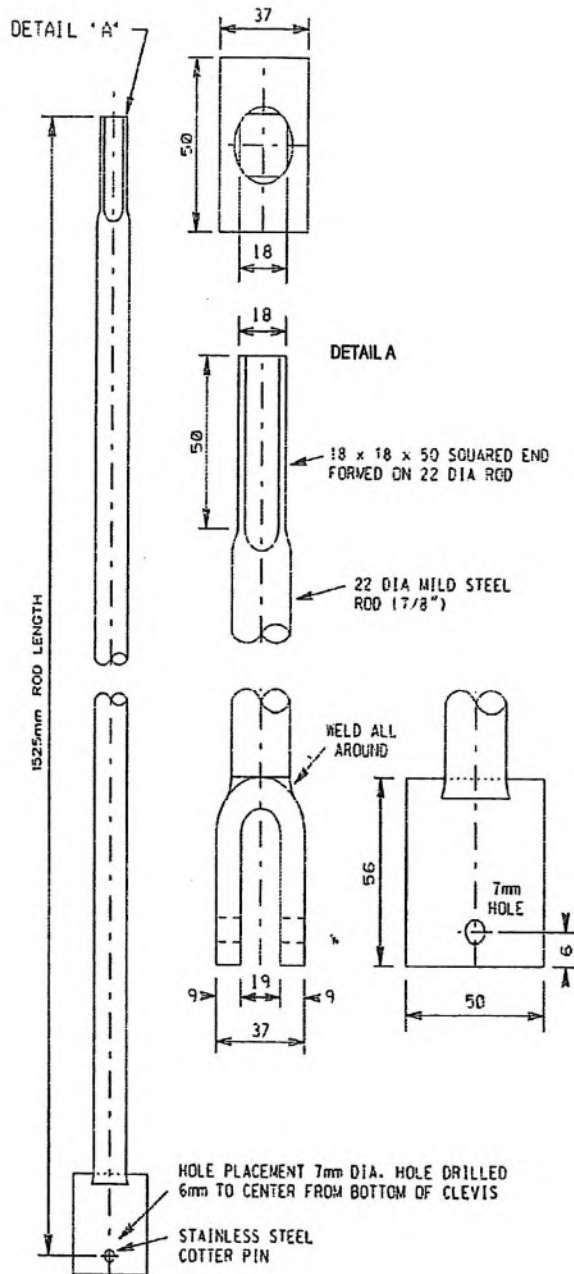
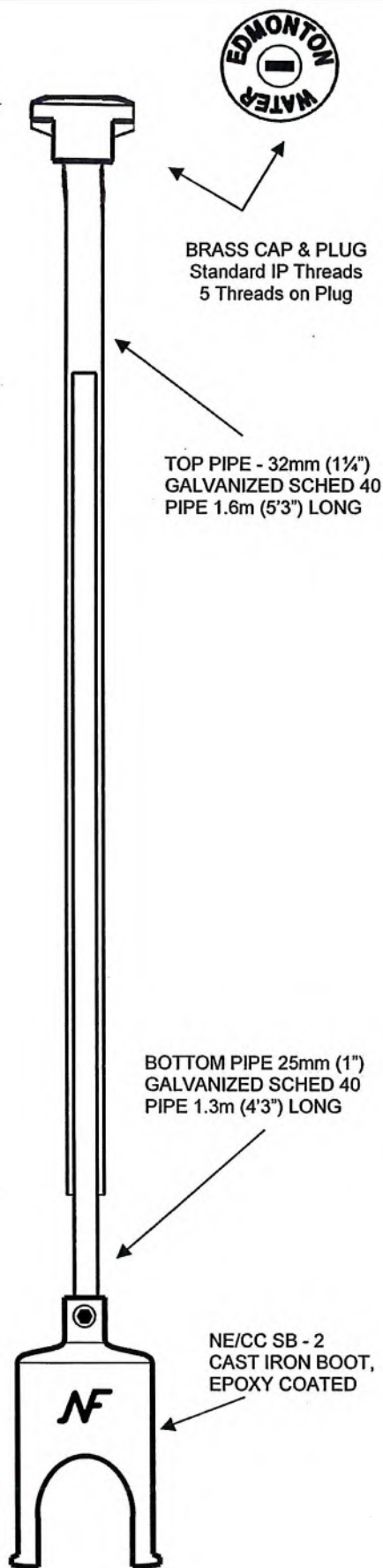


USE 6.4mm x 55mm (3/16 x 2")  
STAINLESS STEEL COTTER PIN



**NESB-1** CITY of EDMONTON  
FOR 20mm (3/4") and 25mm (1") WATER SERVICE

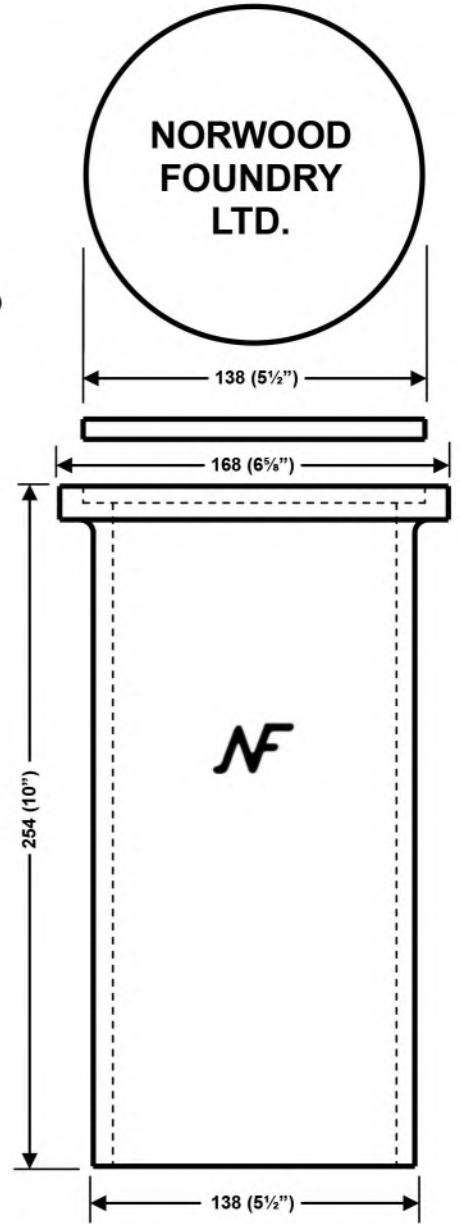
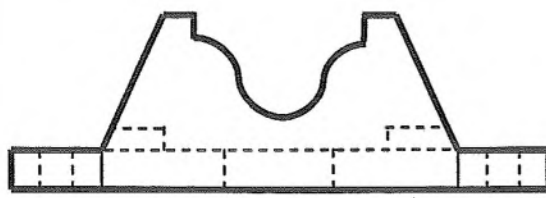
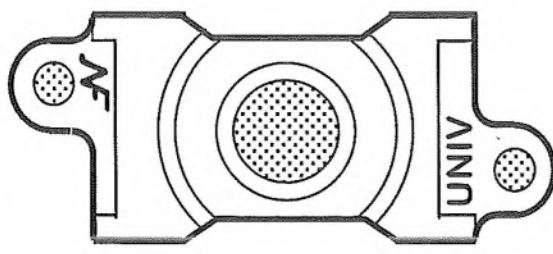
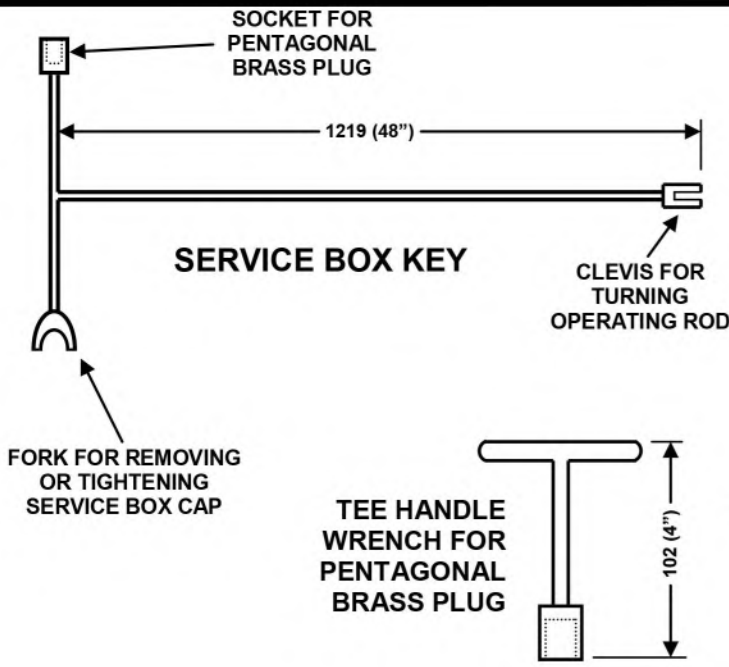
**SERVICE BOX**



**NF** Norwood Foundry  
LIMITED  
SINCE 1905

**NESB-2** CITY of EDMONTON  
FOR 40mm (1 1/2") and 50mm (2") WATER SERVICE

**SERVICE BOX**



**UNIVERSAL CC CHAIRS for:**  
 Ford, Mueller, Cambridge Brass  
 (EPCOR approved)

- 20mm (3/4") Curb Stops
- 25mm (1") Curb Stops
- 40mm (1 1/2") Curb Stops
- 50mm (2") Curb Stops



**ACCESSORIES**

**SERVICE BOX**